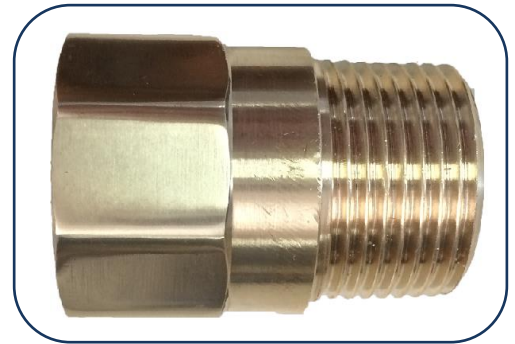


BRASS CHECK VALVE M/F

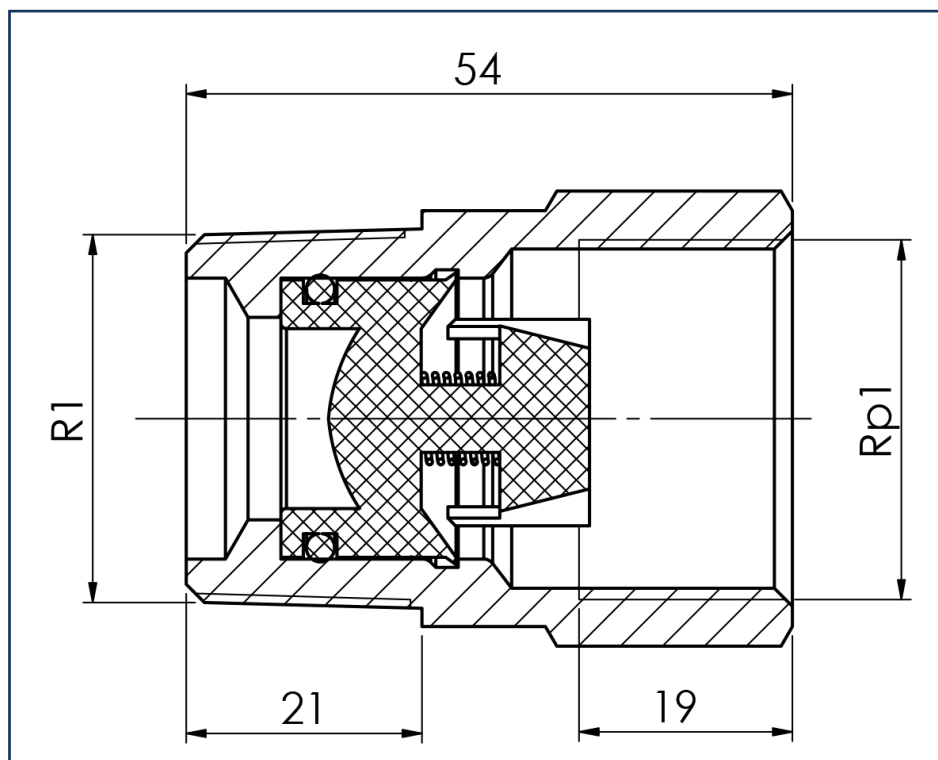
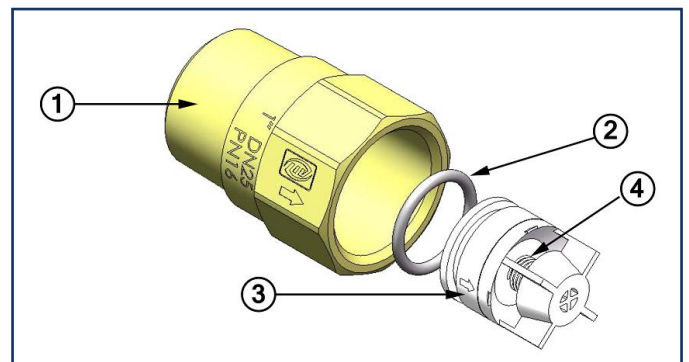
"Lehry Make" Brass Body **HPb58-2A** Check Valve Screwed End, Male/Female. Suitable for domestic water services, heating and air-conditioning plants, compressed air systems.

- ❖ Male Female Threaded Ends
- ❖ Brass Body **HPb58-2A**
- ❖ Minimum and maximum working temperatures: -20°C, 120°C in absence of steam.
- ❖ Threads ISO228 (equivalent to DIN EN ISO 228 and BS EN ISO 228).



Specification:-

SL. No	Description	Material
1	Body	Forged Brass HPb58-2A
2	Seat	NBR
3	Cartridge	POM (Polyoxymethylene)
4	Spring	AISI 302



Lehry Instrumentation & Valves Pvt. Ltd.,

"Lehry Chambers" #78 (Old No: 51) Sembudoss Street,
P.B No.1506, Parrys, Chennai - 600 001.
Phone : 044 25226995/25225185/25226187/42163823/
42625620/42625621. Fax : 044 25231715
Email : info@lehry.com / Website : www.lehryvalves.com
Branches : Chennai, Bangalore, Hyderabad, Mumbai, Noida, Pune