

BUTTERFLY VALVE - PN.20

LEHRY MAKE Butterfly valves are most suitable for wide range of industrial applications. These Valves can be integrated with a consistent range of actuators to create complete flow control packages. Versatile ranges of resilient seated quarter turn butterfly valves are available in various configuration and materials to match critical applications. Higher end quality inspection ensures 100% compliance of safety measures, specified pressure rating and each valve assures tight shut-off.

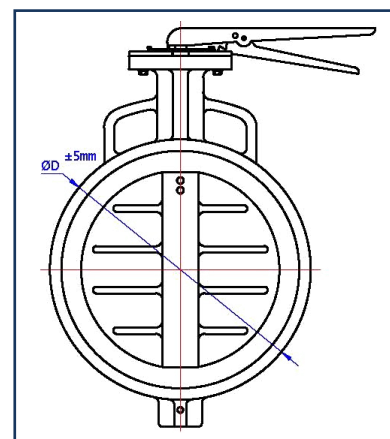


Features :-

- ❖ No pins between shaft and disk connection; this eliminates the possibility of electrolytic corrosion
- ❖ Self lubricated plain bearings for both drive and non-drive end shaft ensures minimum bearing friction torque
- ❖ Choice of seat and disc material to suit media and service requirements
- ❖ Adaptability to lift between companion flanges for all popular flanges standards for wafer style body
- ❖ Extended stem design for insulated line.
- ❖ Excellent adaptability for actuator operation through standardized **ISO 5211** flange mounting dimensions for actuator fitment.

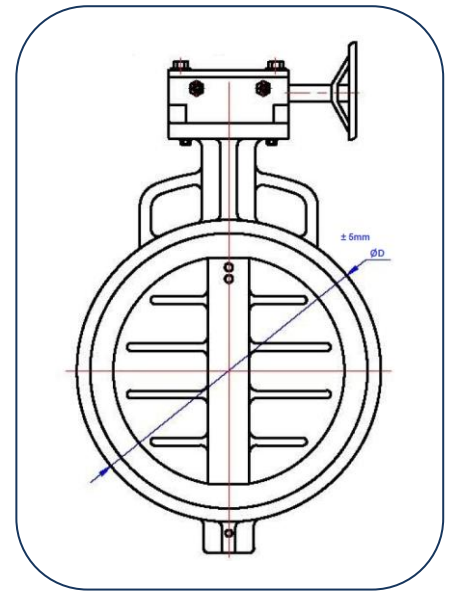
APPLICATIONS

- ❖ General Circuit water, Fuel, Oil, Gas industries
- ❖ Flow Shut Off or Regulating Function in sectors including water supply of Sewage, Irrigation, HVAC, Fire Fighting



Specification :-

| | |
|-------------------|--|
| Type of valve | Centric disc Butterfly valve with rubber lined body |
| Body type | short wafer or wafer lugged |
| Body MOC | WCB |
| Disc | WCB / CF8 / CF8M |
| Seal type | NBR |
| Size range | DN 40 to DN 300 & Above (On Request) |
| Pressure rating | PN 20 |
| Seat Leakage | Tight shut off |
| Operation | Hand Lever Operation – DN 40 – DN 200 Worm Gear Operation DN 250 & Above |
| End Connection | Wafer Type |
| Face To Face | Short Wafer As per ISO 5752 Tab 5 / API 609 Category A / ISO 5752 TAB 1 (BS 5155) |
| Ins. Testing STD. | API 598 / BS EN 12266-1 |
| Hyd. Body Test | 30 Kg/Cm ² |
| Hyd. Seat Test | 20 Kg/Cm ² |



(Dimensions)

(All Dimensions are in mm)

| Tolerance | | ±1mm | ±3mm | ±2mm | ØJ | N | ±1.5mm |
|------------|------|------|------|-------|-------|---|--------|
| Valve Size | | | | -1mm | | | PCD |
| MM | Inch | Port | C | ØD | | | |
| 40 | 1-½ | 40 | 34 | 80 | 15.9 | 4 | 98.4 |
| 50 | 2 | 50 | 44 | 95 | 19.05 | 4 | 120.7 |
| 65 | 2-½ | 65 | 46 | 108 | 19.05 | 4 | 139.7 |
| 80 | 3 | 80 | 46 | 124 | 19.05 | 4 | 152.4 |
| 100 | 4 | 100 | 52 | 150 | 19.05 | 8 | 190.5 |
| 125 | 5 | 125 | 56 | 186 | 22.2 | 8 | 215.9 |
| 150 | 6 | 150 | 56 | 205 | 22.2 | 8 | 241.3 |
| 200 | 8 | 200 | 60 | 258.5 | 22.2 | 8 | 298.5 |

Gear Operated

| Tolerance | | ±1mm | ±2mm | ±5mm |
|------------|------|------|------|------|
| Valve Size | | | | |
| MM | Inch | Port | C | ØD |
| 250 | 10 | 241 | 68 | 316 |
| 300 | 12 | 286 | 78 | 365 |

DATA TO BE SUPPLIED WHILE ENQUIRY

- ❖ Size
- ❖ Actuation
- ❖ Nature of Fluid
- ❖ Flow Temperature
- ❖ Connection
- ❖ Working Condition
- ❖ Flow Pressure

Lehry Instrumentation & Valves Pvt. Ltd.,

"Lehry Chambers" #78 (Old No: 51) Sembudoss Street,
P.B No.1506, Parrys, Chennai - 600 001.
Phone : 044 25226995/25225185/25226187/42163823/
42625620/42625621. Fax : 044 25231715
Email : info@lehry.com / Website : www.lehryvalves.com
Branches : Chennai, Bangalore, Hyderabad, Mumbai, Noida, Pune