

## MS FABRICATED Y - TYPE STRAINER

LEHRY MAKE MS Fabricated Y-Type Strainer Flanged End, Suitable for Domestic Water Services, Chemicals, Oil & HVAC Applications.

### Features :-

- ❖ Design Standards : Lehry 014
- ❖ Size Range : 1" – 48" (DN25 – DN1200)
- ❖ Pressure Rating : ANSI 150
- ❖ Design Configurations :-
  - Bolted Cover
  - Available Mesh From 2 to 500
  - Finer on Demand
  - "Y" Type Construction
  - Drain Plug on Demand

### Specification :-

Manufacturine Std.	Lehry/014
End Connection	Flanged Ends to ANSI B16.5 RF 150#
Inspection & Testing Std.	Lehry/014

### Available Option :-

Structure	End Connection	Flanged End as per ASA 150# / 300# / 600#
Materials	Body	IS 2602 / BS 2762 / BS 4360 / ASTM A53
	Trims	SS 304, SS 316

### Testing Pressure :-

Testing	Body
Hydraulic	32 Kg/Cm <sup>2</sup>

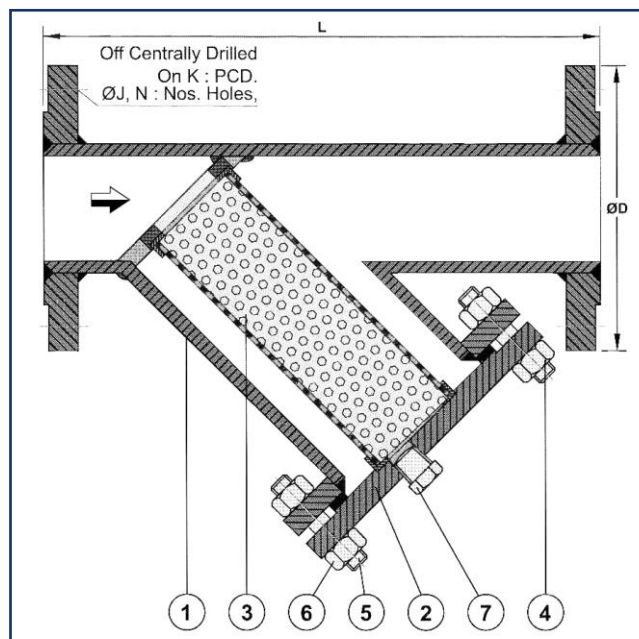
### Technical :-

S.No	QTY	Parts List	Material
1	1	Body	Carbon Steel IS 2062
2	1	Cover	Carbon Steel IS 2062
3	1	Screen	SS 304
4	1	Cover Gasket	CAF
5	Req.	Cover Studs	Carbon Steel to IS 1363
6	Req.	Cover Nuts	Carbon Steel to IS 1363
7	1	Drain Plug	Carbon Steel

### Dimensions :-

Size	25	40	50	65	80	100	125	150	200	250	300	350	400	450	500	600
L Face to Face - RF	160	200	230	290	310	350	400	480	600	730	850	980	1100	1200	1250	1450
∅D	110	125	150	180	190	230	255	280	345	405	485	535	595	635	700	815
∅J	15.9	15.9	19.05	19.05	19.05	19.05	22.2	22.2	22.2	25.4	25.4	28.6	28.6	31.8	31.8	34.9
N	4	4	4	4	4	8	8	8	8	12	12	12	16	16	20	20
K : PCD	79.4	98.4	120.7	139.7	152.4	190.5	215.9	241.3	298.5	362	431.8	476.3	539.8	577.9	635	749.3

(All Dimensions are in mm)



## Lehry Instrumentation & Valves Pvt. Ltd.,

"Lehry Chambers" #78 (Old No: 51) Sembudoss Street,  
 P.B No.1506, Parrys, Chennai - 600 001.  
 Phone : 044 25226995/25225185/25226187/42163823/  
 42625620/42625621. Fax : 044 25231715  
 Email : info@lehry.com / Website : www.lehryvalves.com  
 Branches : Chennai, Bangalore, Hyderabad, Mumbai, Noida, Pune