

## WAFER TYPE CHECK VALVE

### INSTALLATION:-

The Sort Face to Face Dimensions and the low weight guarantee a simple and space saving installation between the bolts of the connecting Flanges. Flange Sealing is Obtained by O-Rings.

### Technical Data: -

#### Specifications :

Size of Range : 25 to 600MM.  
Pressure Rating : 16 Bar Max.

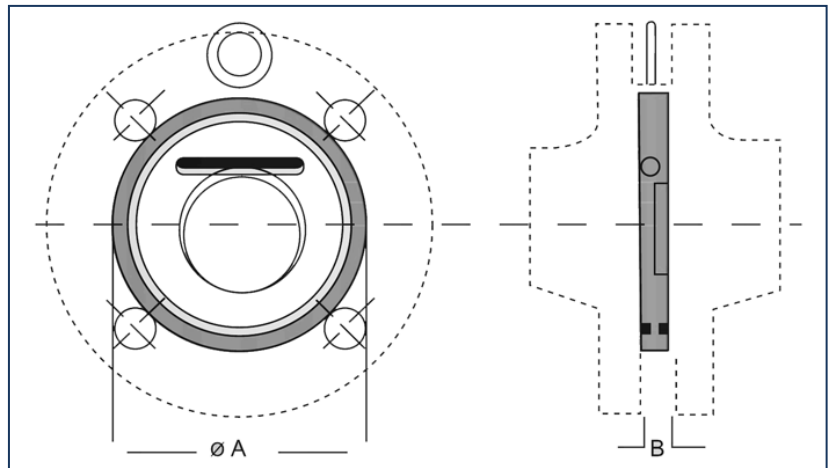
#### Material of Construction :

Body and Disc : C.I / M.S. / WCB / ASTM A351 GR. CF8 / CF8M / CF3M  
Disc : WCB / SS.304, SS.316  
Stainless Steels : CF8 & CF8M, AISI 304 & 316  
Seat & Body : Nitrile, EPDM, Vilon, Silicone, PTFE 'O' Rings  
(Other Material Available on Request)



### CONSTRUCTION FEATURES : -

- ❖ Short Overall Length Wafer Design
- ❖ Centering Achieved by Means of Body Outside Diameter
- ❖ Standard Elastomer Seating or Metal & Metal Seating Provided.
- ❖ Valves with Spring loaded or non Spring Loaded Available
- ❖ Flange Sealing by 'O' Ring cab be provided on request.
- ❖ Material Construction
- ❖ Body & Plate in WCB, CF8, CF8M, AISI 304 & 316
- ❖ Seat Buna N, EPDM, Silicon & PTFE and Metal to Metal.
- ❖ Suitable for Mounting between flanges.



### Dimensions

(All Dimension in MM)

DN	25	32	40	50	65	80	100	125	150	200	250	300	350	400	450	500
A	11	13	22	30	40	52	71	93	114	157	195	230	270	315	353	395
B	16	16	16	16	16	16	16	16	19	28	28	38	38	38	44	44
C-Table D/E	66	74	85	98	111	130	161	193	219	278	340	387	448	498	562	619
C-PN 10	73	-	94	109	129	144	164	193	219	278	330	380	440	490	540	620
C-PN 16	73	-	94	109	129	144	164	193	219	275	330	396	446	498	558	620
C-(ASA-150)	64	76	84	104	123	136	174	193	219	275	340	410	450	548	549	606

### Lehry Instrumentation & Valves Pvt. Ltd.,

"Lehry Chambers" #78 (Old No: 51) Sembudoss Street,  
P.B No.1506, Parrys, Chennai - 600 001.

Phone : 044 25226995/25225185/25226187/42163823/  
42625620/42625621. Fax : 044 25231715

Email : info@lehry.com / Website : www.lehryvalves.com

Branches : Chennai, Bangalore, Hyderabad, Mumbai, Noida, Pune